

Bloc

Terracotta 3D



Wall: DTIB 05 Glossy

5 Colours / 3 Finishes / 1 Size

Bloc is a range of terracotta bricks that act as partition elements, produced with the artisanship extrusion process. The pieces are three-dimensional and conceived to build architectural and decorative surfaces. Bloc is suitable for commercial and residential areas.

Design Ronan & Erwan Bouroullec

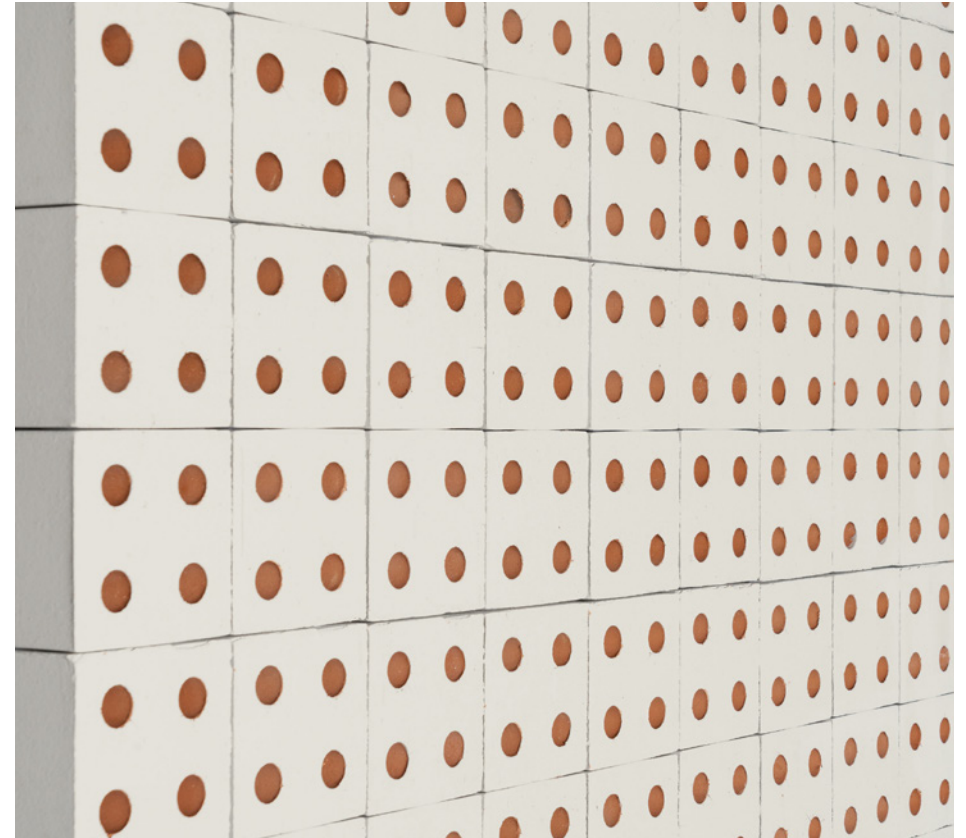
Mutina



Wall: DTIB 01 Natural



DTIB 04 & 05 Glossy



DTIB 02 Matt

Sizes



DTIB 02 Matt



DTIB 02 Glossy



DTIB 01 Natural



DTIB 03 Matt



DTIB 03 Glossy



DTIB 04 Matt



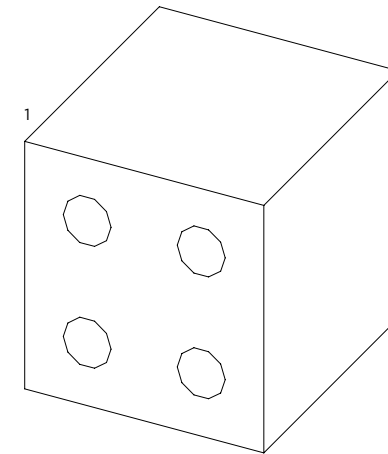
DTIB 05 Matt



DTIB 05 Glossy



DTIB 04 Glossy



	Size (mm)	Thickness	Finish	Colour Availability
1	130 x 130 (N)	100	Natural Matt Glossy	DTIB 01 only DTIB 02, 03, 04 & 05 DTIB 02, 03, 04 & 05

(N) Nominal size - pressed edge. Swatch colours may vary from original. Samples should be requested. DTIB 01 is recommended for use only on walls, both indoor and outdoor. DTIB 02, 03, 04 & 05 are recommended for use only on indoor walls. Due to Bloc being an artisanal product, a tolerance of 1-3mm is expected.



DTIB 05 Tube (shown with DTIB 02 Glossy)

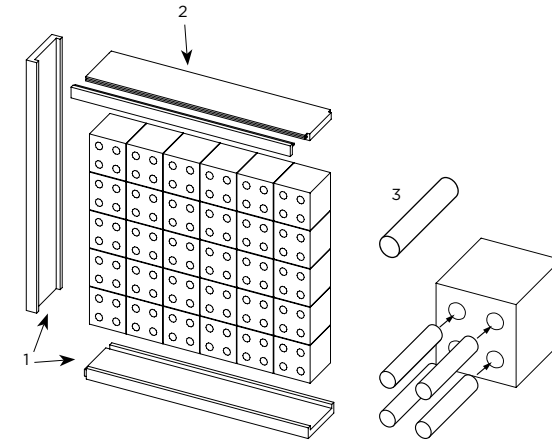


DTIB 04 Tube (shown with DTIB 02 Glossy)



DTIB 05 Glossy with DTIB 04 Tube Natural

Special Pieces



	Size (mm)	Finish	Colour Availability
1	Linear Profile 300 x 12.5	Natural	DTIB 01 only
2	Terminal Profile 300 x 12.5	Natural	DTIB 01 only
3	Tube 10 x 2.5	Natural	DTIB 04 & 05

Switch colours may vary from original. Samples should be requested. Due to Bloc being an artisanal product, a tolerance of 1-3mm is expected.

Bloc

Technical Data

Product Type: Extruded / Glazed Extruded Terracotta

Use: Walls (Internal) except DTIB 01 (Internal & External)

Product Code: DTIB

ARTISANAL EXTRUDED PARTITION ELEMENTS

DIMENSION & SURFACE QUALITY

* Nominal Size : 13 x 13 x 10cm with 1 – 3mm tolerance

Technical Characteristics	Industry Standards	Requirement	Actual Value
Dimensions	BS EN ISO 772-16	As declared	T2 – R2

PRODUCT QUALITY & DURABILITY

Technical Characteristics	Industry Standards	Requirement	Actual Value
Water absorption	BS EN ISO 772-21 : 2011	As declared	12.5% (typical value)
Content of active soluble salts	BS EN ISO 772-5 : 2016	As declared	S2
Freeze-thaw resistance	BS EN ISO CEN/TS 772 -22 : 2006	As declared	F1 - moderate
Determination of horizontal variable loads	D.M. 1401/2008	As declared	C2
Frost resistance	BS EN ISO 10545-12	No surface alteration	Not resistant
Reaction to fire	Based on the decision 96/603/EC and its changes	A1 _{FL} /A1	A1
Recycled content			10%

