

Pura 20mm

External 20mm / Porcelain Stone



4 Colours / 1 Finish / 2 Sizes

Pura 20mm is a porcelain tile range with harmonious, meticulously-detailed surfaces with impressive technical and aesthetic properties. This range is ideal for outdoor use with External Support Systems. Refer to Pura for 14mm-thick tiles suitable for indoor use.



Sizes



DXF CPU 01



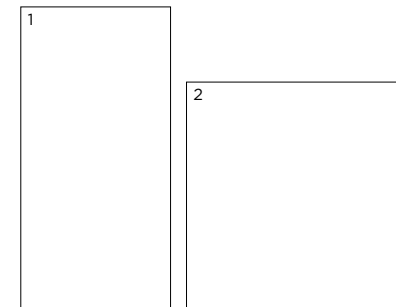
DXF CPU 03



DXF CPU 02



DXF CPU 04



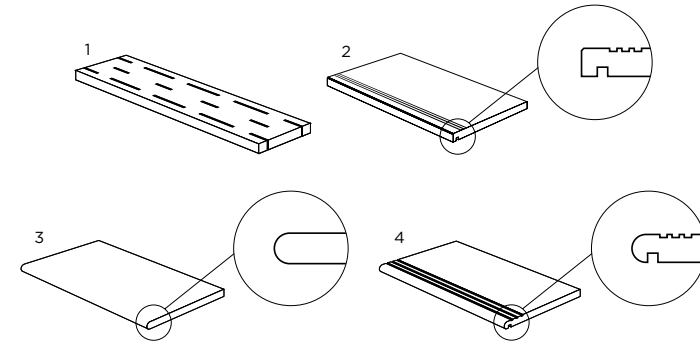
	Size (mm)	Thickness	Finish	Colour Availability
1	1198 x 598 (R)	20	Hammered	All colours
2	898 x 898 (R)	20	Hammered	All colours

(R) Rectified size - square edge with bevel. Swatch colours may vary from original. Samples should be requested. Special pieces shown on next page.

Special Pieces



Floor: DXF CPU 03 Hammered



	Size (mm)	Thickness	Finish	Colour Availability
1	Grill Component 598 x 150	20	Hammered	All colours
2	Grooved & Drip-Flap Step Tread 598 x 298	20	Hammered	All colours
3	Bullnose Step Tread 598 x 298	20	Hammered	All colours
4	Grooved & Drip-Flap Bullnose Step Tread 598 x 298	20	Hammered	All colours

Swatch colours may vary from original. Samples should be requested.